

Universal transfer switch LW26-10



1. Product introduction

Lw12 is suitable for converting electrical control lines and electrical measuring instruments in circuits, and can also directly control motors.

2. Product Features

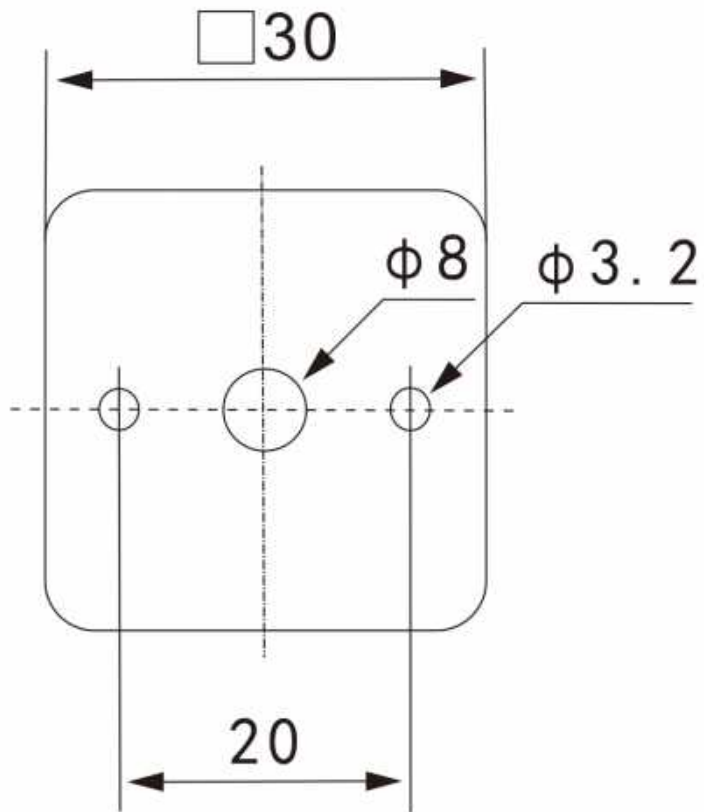
- (1) The ambient air temperature does not exceed +40°C. And the average temperature within 24h does not exceed +35C;
- (2) The lower limit of ambient air temperature does not exceed - 25C;
- (3) The altitude of the installation site shall not exceed 2000m;
- (4) When the maximum temperature is + 40°C, the relative humidity of the air does not exceed 50%, and a higher relative humidity can be allowed at lower temperatures, such as 90% at 20°C. Special measures should be taken for occasional condensation due to temperature changes.

3. Technical parameters

Regulation	LW26-10	
Rated insulation voltage	660/690	
Rated current	10	
Rated working voltage	240	440
Rated working current		
AC-21A AC-22A	10	10
AC-23A	7.5	7.5
AC-2	7.5	7.5
AC-3	5.5	5.5
AC-4	1.75	1.75
AC-15	2.5	1.5
AC-13		
Power		
AC-23A	1.8	3
AC-2	2.5	3.7
AC-3	1.5	2.2
AC-4	0.37	0.55

Universal transfer switch LW26-10

4. Installation and size



5. Ordering instructions

Universal transfer switches LW26, LW5, LW8, LW12, HZ5B series have similar contact diagrams.

Also, please specify amperage rating, mounting plate, handle type, color and quantity.
We reserve the right to update the catalog without notice

Universal transfer switch LW26-20



1. Product introduction

LW26 series rotary switch is mainly suitable for 440V and below, AC 50Hz or 240V and the following DC circuits. It is used for circuit opening, closing and switching under non-frequent manual operation. Typical applications are: three-phase motor control switchgear, instrument control switches, machinery and welder transfer switches. This series of products meet the requirements of GB 14048.5 and IEC 60947-5-1.

LW26 series has 8 currents etc.: 10A, 20A, 25A, 32A, 40A, 63A, 125A, 160A

They are designed for multiple functions and a wide range of applications. LW26-10, LW26-20, LW26-25 have finger protection terminals. The LW26 series rotary switches are replacements for most transfer switches. There are two derivatives of the LW26 series rotary switches, the LW26GS padlock type and the LW26S key lock type. They are all suitable for circuits that require physical control. We can be equipped with a protective box (IP65) from 20A to 160A.

2. Product Features

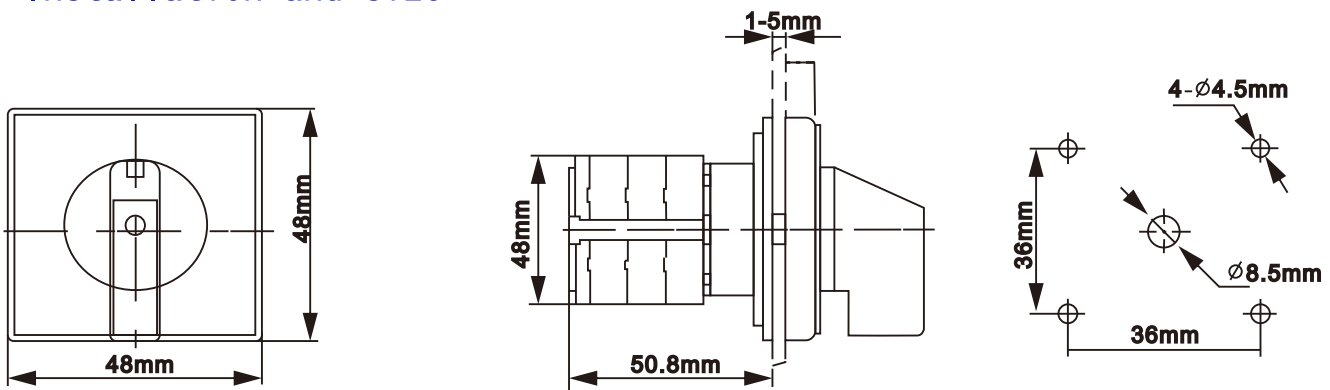
- (1) The ambient air temperature does not exceed $+40^{\circ}\text{C}$. And the average temperature within 24h does not exceed $+35^{\circ}\text{C}$;
- (2) The lower limit of ambient air temperature does not exceed -25°C ;
- (3) The altitude of the installation site shall not exceed 2000m;
- (4) When the maximum temperature is $+40^{\circ}\text{C}$, the relative humidity of the air does not exceed 50%, and a higher relative humidity can be allowed at lower temperatures, such as 90% at 20°C . Special measures should be taken for occasional condensation due to temperature changes.

Universal transfer switch LW26-20

3. Technical parameters

Regulation	LW26-20			
Rated insulation voltage	660/690			
Rated current	20			
Rated working voltage	240	110	240	440
Rated working current				
AC-21A	/	/	20	20
AC-23A	/	/	15	15
AC-2	/	/	15	15
AC-3	/	/	11	11
AC-4	/	/	3.5	3.5
AC-15	/	/	5	4
AC-13	/	/	0.4	/
Power				
AC-23A	12	0.4	3.7/2.5	7.5/3.7
AC-2	/	/	4	7.5
AC-3	/	/	3/2.2	5.5/3
AC-4	/	/	0.55/0.75	1.5/1.5

4. Installation and size



5. Ordering instructions

Universal transfer switches LW26, LW5, LW8, LW12, HZ5B series have similar contact diagrams.

Also, please specify amperage rating, mounting plate, handle type, color and quantity.

We reserve the right to update the catalog without notice

Universal transfer switch LW26-25



1. Product introduction

LW26 series rotary switch is mainly suitable for 440V and below, AC 50Hz or 240V and the following DC circuits. It is used for circuit opening, closing and switching under non-frequent manual operation. Typical applications are: three-phase motor control switchgear, instrument control switches, machinery and welder transfer switches. This series of products meet the requirements of GB 14048.5 and IEC 60947-5-1.

Lw26 series has 8 currents etc.: 10A, 20A, 25A, 32A, 40A, 63A, 125A, 160A

They are designed for multiple functions and a wide range of applications. LW26-10, LW26-20, LW26-25 have finger protection terminals. The LW26 series rotary switches are replacements for most transfer switches. There are two derivatives of the LW26 series rotary switches, the LW26GS padlock type and the LW26S key lock type. They are all suitable for circuits that require physical control. We can be equipped with a protective box (IP65) from 20A to 160A.

2. Product Features

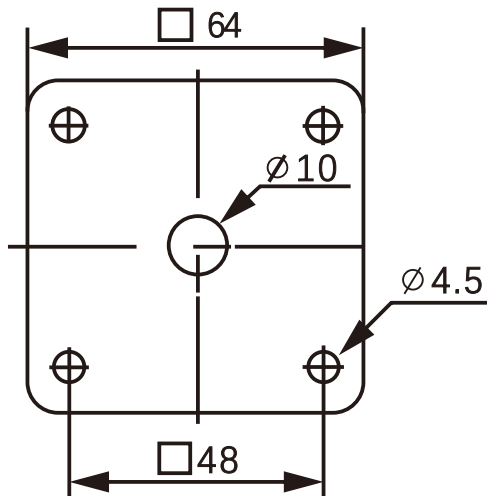
- (1) The ambient air temperature does not exceed $+40^{\circ}\text{C}$. And the average temperature within 24h does not exceed $+35^{\circ}\text{C}$;
- (2) The lower limit of ambient air temperature does not exceed -25°C ;
- (3) The altitude of the installation site shall not exceed 2000m;
- (4) When the maximum temperature is $+40^{\circ}\text{C}$, the relative humidity of the air does not exceed 50%, and a higher relative humidity can be allowed at lower temperatures, such as 90% at 20°C . Special measures should be taken for occasional condensation due to temperature changes.

Universal transfer switch LW26-25

3. Technical parameters

Regulation	LW26-25			
Rated insulation voltage	660/690			
Rated current	25			
Rated working voltage	240	110	240	440
Rated working current				
AC-21A	/	/	25	25
AC-23A	/	/	22	22
AC-2	/	/	22	22
AC-3	/	/	15	15
AC-4	/	/	6.5	6.5
AC-15	/	/	8	5
AC-13	20	0.5	0.5	/
Power				
AC-23A	/	/	5.5/3	11/5.5
AC-2	/	/	5.5	11
AC-3	/	/	4/3	7.5/3.7
AC-4	/	/	1.5/1.1	3/2.2

4. Installation and size



5. Ordering instructions

Universal transfer switches LW26, LW5, LW8, LW12, HZ5B series have similar contact diagrams.

Also, please specify amperage rating, mounting plate, handle type, color and quantity.

We reserve the right to update the catalog without notice

Universal transfer switch LW26-32



1. Product introduction

LW26 series rotary switch is mainly suitable for 440V and below, AC 50Hz or 240V and the following DC circuits. It is used for circuit opening, closing and switching under non-frequent manual operation. Typical applications are: three-phase motor control switchgear, instrument control switches, machinery and welder transfer switches. This series of products meet the requirements of GB 14048.5 and IEC 60947-5-1.

Lw26 series has 8 currents etc.: 10A, 20A, 25A, 32A, 40A, 63A, 125A, 160A

They are designed for multiple functions and a wide range of applications. LW26-10, LW26-20, LW26-25 have finger protection terminals. The LW26 series rotary switches are replacements for most transfer switches. There are two derivatives of the LW26 series rotary switches, the LW26GS padlock type and the LW26S key lock type. They are all suitable for circuits that require physical control. We can be equipped with a protective box (IP65) from 20A to 160A.

2. Product Features

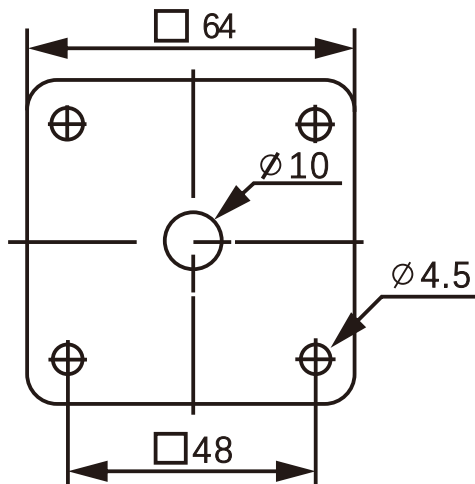
- (1) The ambient air temperature does not exceed $+40^{\circ}\text{C}$. And the average temperature within 24h does not exceed $+35^{\circ}\text{C}$;
- (2) The lower limit of ambient air temperature does not exceed -25°C ;
- (3) The altitude of the installation site shall not exceed 2000m;
- (4) When the maximum temperature is $+40^{\circ}\text{C}$, the relative humidity of the air does not exceed 50%, and a higher relative humidity can be allowed at lower temperatures, such as 90% at 20°C . Special measures should be taken for occasional condensation due to temperature changes.

Universal transfer switch LW26-32

3. Technical parameters

Regulation	LW26-32	
Rated insulation voltage	660/690	
Rated current	32	
Rated working voltage	240	440
Rated working current		
AC-21A	32	32
AC-23A	30	30
AC-2	30	30
AC-3	22	22
AC-4	11	11
AC-15	44	6
AC-13	/	/
Power		
AC-23A	7.5/4	15/7.5
AC-2	7.5	15
AC-3	5.5/4	11/5.5
AC-4	2.7/1.5	5.5/3

4. Installation and size



5. Ordering instructions

Universal transfer switches LW26, LW5, LW8, LW12, HZ5B series have similar contact diagrams.

Also, please specify amperage rating, mounting plate, handle type, color and quantity.

We reserve the right to update the catalog without notice

Universal transfer switch LW26-63



1. Product introduction

LW26 series rotary switch is mainly suitable for 440V and below, AC 50Hz or 240V and the following DC circuits. It is used for circuit opening, closing and switching under non-frequent manual operation. Typical applications are: three-phase motor control switchgear, instrument control switches, machinery and welder transfer switches. This series of products meet the requirements of GB 14048.5 and IEC 60947-5-1.

LW26 series has 8 currents etc.: 10A, 20A, 25A, 32A, 40A, 63A, 125A, 160A

They are designed for multiple functions and a wide range of applications. LW26-10, LW26-20, LW26-25 have finger protection terminals. The LW26 series rotary switches are replacements for most transfer switches. There are two derivatives of the LW26 series rotary switches, the LW26GS padlock type and the LW26S key lock type. They are all suitable for circuits that require physical control. We can be equipped with a protective box (IP65) from 20A to 160A.

2. Product Features

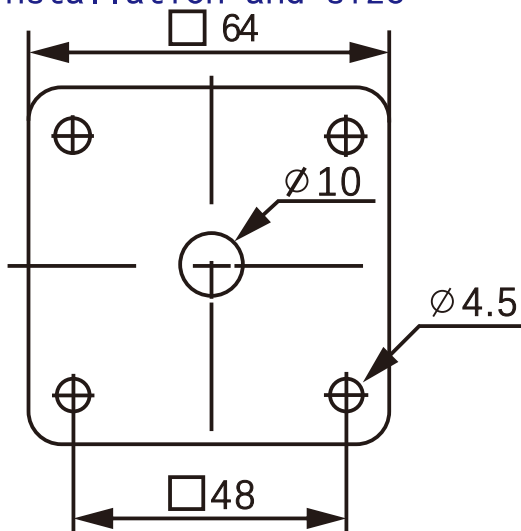
- (1) The ambient air temperature does not exceed +40°C. And the average temperature within 24h does not exceed +35°C;
- (2) The lower limit of ambient air temperature does not exceed - 25°C;
- (3) The altitude of the installation site shall not exceed 2000m;
- (4) When the maximum temperature is + 40°C, the relative humidity of the air does not exceed 50%, and a higher relative humidity can be allowed at lower temperatures, such as 90% at 20°C. Special measures should be taken for occasional condensation due to temperature changes.

Universal transfer switch LW26-63

3. Technical parameters

Regulation	LW26-63	
Rated insulation voltage	660/690	
Rated current	63	
Rated working voltage	240	440
Rated working current		
AC-21A	63	63
AC-23A	57	57
AC-2	57	57
AC-3	36	36
AC-4	15	15
AC-15	/	/
AC-13	/	/
Power		
AC-23A	15/10	30/18.5
AC-2	18.5	20
AC-3	11/6	18.5/11
AC-4	5.5/2.4	7.5/4

4. Installation and size



5. Ordering instructions

Universal transfer switches LW26, LW5, LW8, LW12, HZ5B series have similar contact diagrams.

Also, please specify amperage rating, mounting plate, handle type, color and quantity.

We reserve the right to update the catalog without notice

Universal transfer switch LW26-125



1. Product introduction

LW26 series rotary switch is mainly suitable for 440V and below, AC 50Hz or 240V and the following DC circuits. It is used for circuit opening, closing and switching under non-frequent manual operation. Typical applications are: three-phase motor control switchgear, instrument control switches, machinery and welder transfer switches. This series of products meet the requirements of GB 14048.5 and IEC 60947-5-1.

LW26 series has 8 currents etc.: 10A, 20A, 25A, 32A, 40A, 63A, 125A, 160A

They are designed for multiple functions and a wide range of applications. LW26-10, LW26-20, LW26-25 have finger protection terminals. The LW26 series rotary switches are replacements for most transfer switches. There are two derivatives of the LW26 series rotary switches, the LW26GS padlock type and the LW26S key lock type. They are all suitable for circuits that require physical control. We can be equipped with a protective box (IP65) from 20A to 160A.

2. Product Features

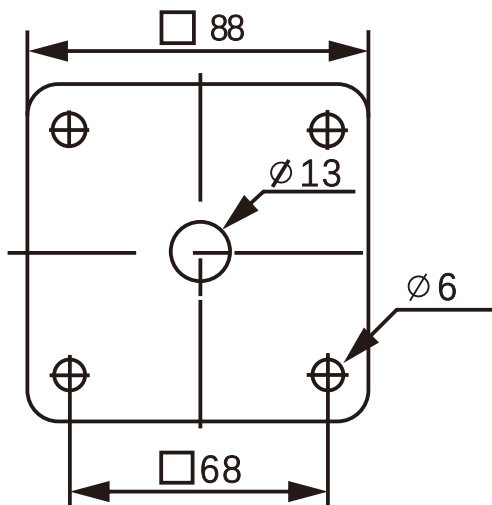
- (1) The ambient air temperature does not exceed +40°C. And the average temperature within 24h does not exceed +35°C;
- (2) The lower limit of ambient air temperature does not exceed - 25°C;
- (3) The altitude of the installation site shall not exceed 2000m;
- (4) When the maximum temperature is + 40°C, the relative humidity of the air does not exceed 50%, and a higher relative humidity can be allowed at lower temperatures, such as 90% at 20°C. Special measures should be taken for occasional condensation due to temperature changes.

Universal transfer switch LW26-125

3. Technical parameters

Regulation	LW26-125	
Rated insulation voltage	660/690	
Rated current	125	
Rated working voltage	240	440
Rated working current		
AC-21A	100	100
AC-23A	90	90
AC-2	90	90
AC-3	75	75
AC-4	30	30
AC-15	/	/
AC-13	/	/
Power		
AC-23A	30/15	45/22
AC-2	30	45
AC-3	15/7.5	30/13
AC-4	6/3	12/5.5

4. Installation and size



5. Ordering instructions

Universal transfer switches LW26, LW5, LW8, LW12, HZ5B series have similar contact diagrams.

Also, please specify amperage rating, mounting plate, handle type, color and quantity.

We reserve the right to update the catalog without notice

Universal transfer switch LW26-20GS



1. Product introduction

LW26 series rotary switch is mainly suitable for 440V and below, AC 50Hz or 240V and the following DC circuits. It is used for circuit opening, closing and switching under non-frequent manual operation. Typical applications are: three-phase motor control switchgear, instrument control switches, machinery and welder transfer switches. This series of products meet the requirements of GB 14048.5 and IEC 60947-5-1.

Lw26 series has 8 currents etc.: 10A, 20A, 25A, 32A, 40A, 63A, 125A, 160A

They are designed for multiple functions and a wide range of applications. LW26-10, LW26-20, LW26-25 have finger protection terminals. The LW26 series rotary switches are replacements for most transfer switches. There are two derivatives of the LW26 series rotary switches, the LW26GS padlock type and the LW26S key lock type. They are all suitable for circuits that require physical control. We can be equipped with a protective box (IP65) from 20A to 160A.

2. Product Features

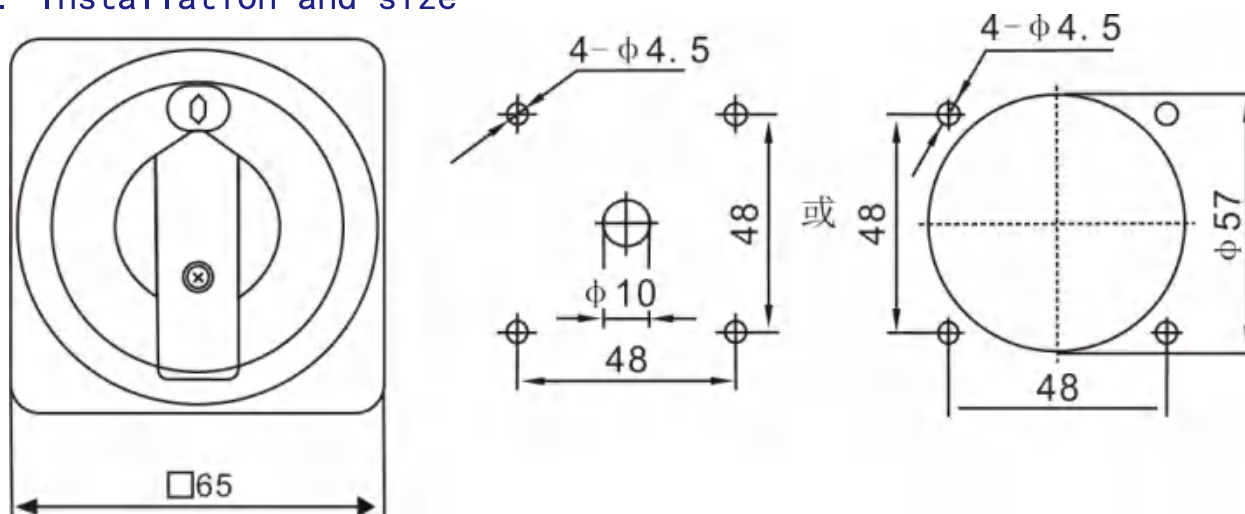
- (1) The ambient air temperature does not exceed $+40^{\circ}\text{C}$. And the average temperature within 24h does not exceed $+35^{\circ}\text{C}$;
- (2) The lower limit of ambient air temperature does not exceed -25°C ;
- (3) The altitude of the installation site shall not exceed 2000m;
- (4) When the maximum temperature is $+40^{\circ}\text{C}$, the relative humidity of the air does not exceed 50%, and a higher relative humidity can be allowed at lower temperatures, such as 90% at 20°C . Special measures should be taken for occasional condensation due to temperature changes.

Universal transfer switch LW26-20GS

3. Technical parameters

Regulation	LW26-20			
Rated insulation voltage	660/690			
Rated current	20			
Rated working voltage	240	110	240	440
Rated working current				
AC-21A	/	/	20	20
AC-23A	/	/	15	15
AC-2	/	/	15	15
AC-3	/	/	11	11
AC-4	/	/	3.5	3.5
AC-15	/	/	5	4
AC-13	/	/	0.4	/
Power				
AC-23A	12	0.4	3.7/2.5	7.5/3.7
AC-2	/	/	4	7.5
AC-3	/	/	3/2.2	5.5/3
AC-4	/	/	0.55/0.75	1.5/1.5

4. Installation and size



5. Ordering instructions

Universal transfer switches LW26, LW5, LW8, LW12, HZ5B series have similar contact diagrams.

Also, please specify amperage rating, mounting plate, handle type, color and quantity.

We reserve the right to update the catalog without notice

Universal transfer switch LW26-25GS



1. Product introduction

LW26 series rotary switch is mainly suitable for 440V and below, AC 50Hz or 240V

and the following DC circuits. It is used for circuit opening, closing and switching under non-frequent manual operation. Typical applications are: three-phase motor control switchgear, instrument control switches, machinery and welder transfer switches. This series of products meet the requirements of GB 14048.5 and IEC 60947-5-1.

LW26 series has 8 currents etc.: 10A, 20A, 25A, 32A, 40A, 63A, 125A, 160A

They are designed for multiple functions and a wide range of applications. LW26-10, LW26-20, LW26-25 have finger protection terminals. The LW26 series rotary switches are replacements for most transfer switches. There are two derivatives of the LW26 series rotary switches, the LW26GS padlock type and the LW26S key lock type. They are all suitable for circuits that require physical control. We can be equipped with a protective box (IP65) from 20A to 160A.

2. Product Features

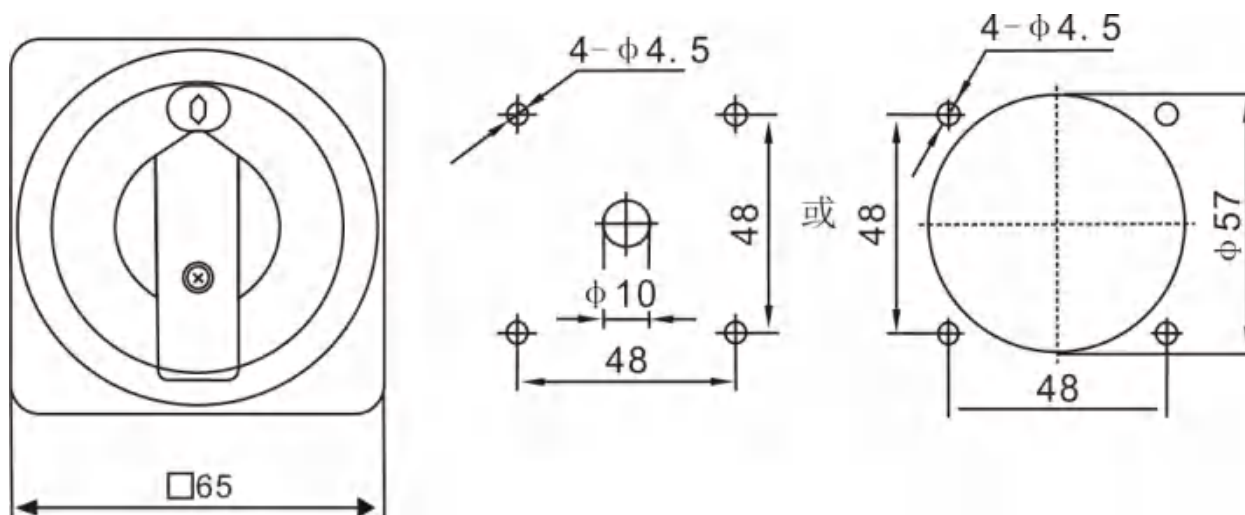
- (1) The ambient air temperature does not exceed +40°C. And the average temperature within 24h does not exceed +35°C;
- (2) The lower limit of ambient air temperature does not exceed - 25°C;
- (3) The altitude of the installation site shall not exceed 2000m;
- (4) When the maximum temperature is + 40°C, the relative humidity of the air does not exceed 50%, and a higher relative humidity can be allowed at lower temperatures, such as 90% at 20°C. Special measures should be taken for occasional condensation due to temperature changes.

Universal transfer switch LW26-25GS

3. Technical parameters

Regulation	LW26-25			
Rated insulation voltage	660/690			
Rated current	25			
Rated working voltage	240	110	240	440
Rated working current				
AC-21A	/	/	25	25
AC-23A	/	/	22	22
AC-2	/	/	22	22
AC-3	/	/	15	15
AC-4	/	/	6.5	6.5
AC-15	/	/	8	5
AC-13	20	0.5	0.5	/
Power				
AC-23A	/	/	5.5/3	11/5.5
AC-2	/	/	5.5	11
AC-3	/	/	4/3	7.5/3.7
AC-4	/	/	1.5/1.1	3/2.2

4. Installation and size



5. Ordering instructions

Universal transfer switches LW26, LW5, LW8, LW12, HZ5B series have similar contact diagrams.

Also, please specify amperage rating, mounting plate, handle type, color and quantity.

We reserve the right to update the catalog without notice

Universal transfer switch LW26-32GS with padlock

1. Product introduction



LW26 series rotary switch is mainly suitable for 440V and below, AC 50Hz or 240V and the following DC circuits. It is used for circuit opening, closing and switching under non-frequent manual operation. Typical applications are: three-phase motor control switchgear, instrument control switches, machinery and welder transfer switches. This series of products meet the requirements of GB 14048.5 and IEC 60947-5-1.

LW26 series has 8 currents etc.: 10A, 20A, 25A, 32A, 40A, 63A, 125A, 160A

They are designed for multiple functions and a wide range of applications. LW26-10, LW26-20, LW26-25 have finger protection terminals. The LW26 series rotary switches are replacements for most transfer switches. There are two derivatives of the LW26 series rotary switches, the LW26GS padlock type and the LW26S key lock type. They are all suitable for circuits that require physical control. We can be equipped with a protective box (IP65) from 20A to 160A.

2. Product Features

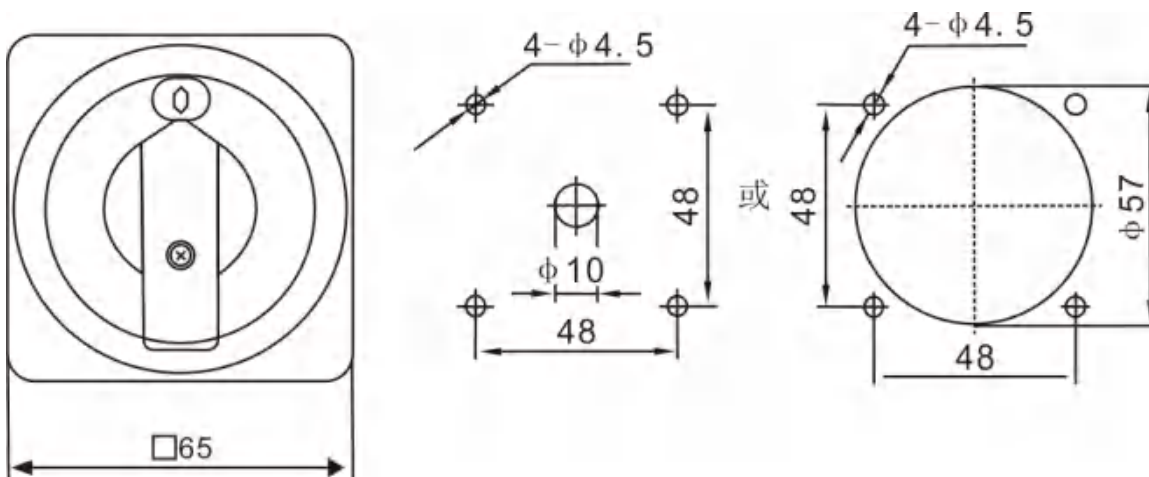
- (1) The ambient air temperature does not exceed +40°C. And the average temperature within 24h does not exceed +35°C;
- (2) The lower limit of ambient air temperature does not exceed - 25°C;
- (3) The altitude of the installation site shall not exceed 2000m;
- (4) When the maximum temperature is + 40°C, the relative humidity of the air does not exceed 50%, and a higher relative humidity can be allowed at lower temperatures, such as 90% at 20°C. Special measures should be taken for occasional condensation due to temperature changes.

Universal transfer switch LW26-32GS with padlock

3. Technical parameters

Regulation	LW26-32	
Rated insulation voltage	660/690	
Rated current	32	
Rated working voltage	240	440
Rated working current		
AC-21A	32	32
AC-23A	30	30
AC-2	30	30
AC-3	22	22
AC-4	11	11
AC-15	44	6
AC-13	/	/
Power		
AC-23A	7.5/4	15/7.5
AC-2	7.5	15
AC-3	5.5/4	11/5.5
AC-4	2.7/1.5	5.5/3

4. Installation and size



5. Ordering instructions

Universal transfer switches LW26, LW5, LW8, LW12, HZ5B series have similar contact diagrams.

Also, please specify amperage rating, mounting plate, handle type, color and quantity.

We reserve the right to update the catalog without notice

Universal transfer switch LW26-63GS



1. Product introduction

LW26 series rotary switch is mainly suitable for 440V and below, AC 50Hz or 240V and the following DC circuits. It is used for circuit opening, closing and switching under non-frequent manual operation. Typical applications are: three-phase motor control switchgear, instrument control switches, machinery and welder transfer switches. This series of products meet the requirements of GB 14048.5 and IEC 60947-5-1.

LW26 series has 8 currents etc.: 10A, 20A, 25A, 32A, 40A, 63A, 125A, 160A

They are designed for multiple functions and a wide range of applications. LW26-10, LW26-20, LW26-25 have finger protection terminals. The LW26 series rotary switches are replacements for most transfer switches. There are two derivatives of the LW26 series rotary switches, the LW26GS padlock type and the LW26S key lock type. They are all suitable for circuits that require physical control. We can be equipped with a protective box (IP65) from 20A to 160A.

2. Product Features

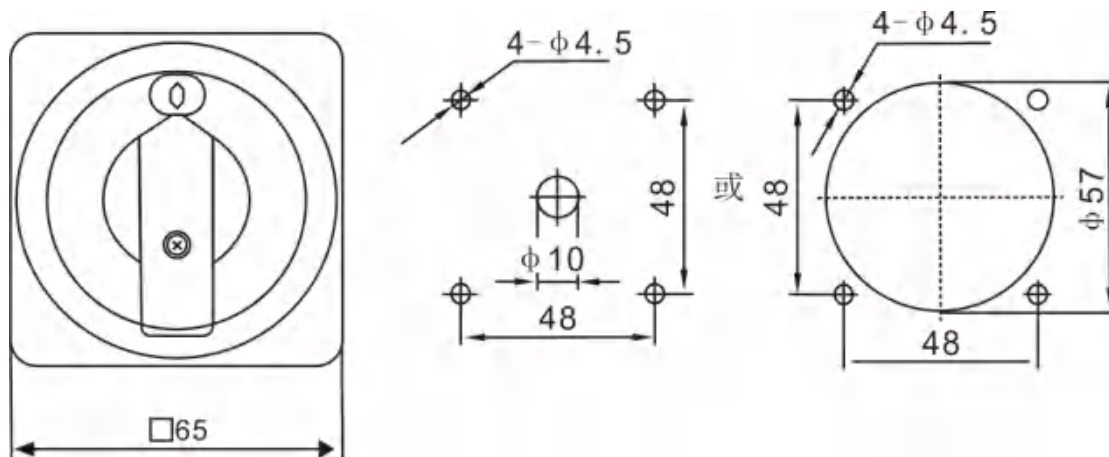
- (1) The ambient air temperature does not exceed $+40^{\circ}\text{C}$. And the average temperature within 24h does not exceed $+35^{\circ}\text{C}$;
- (2) The lower limit of ambient air temperature does not exceed -25°C ;
- (3) The altitude of the installation site shall not exceed 2000m;
- (4) When the maximum temperature is $+40^{\circ}\text{C}$, the relative humidity of the air does not exceed 50%, and a higher relative humidity can be allowed at lower temperatures, such as 90% at 20°C . Special measures should be taken for occasional condensation due to temperature changes.

Universal transfer switch LW26-63GS

3. Technical parameters

Regulation	LW26-63	
Rated insulation voltage	660/690	
Rated current	63	
Rated working voltage	240	440
Rated working current		
AC-21A	63	63
AC-23A	57	57
AC-2	57	57
AC-3	36	36
AC-4	15	15
AC-15	/	/
AC-13	/	/
Power		
AC-23A	15/10	30/18.5
AC-2	18.5	20
AC-3	11/6	18.5/11
AC-4	5.5/2.4	7.5/4

4. Installation and size



5. Ordering instructions

Universal transfer switches LW26, LW5, LW8, LW12, HZ5B series have similar contact diagrams.

Also, please specify amperage rating, mounting plate, handle type, color and quantity.

We reserve the right to update the catalog without notice

Universal transfer switch LW26-63GS

(open the door and power off, special for machine tools)



1. Product introduction

LW26 series rotary switch is mainly suitable for 440V and below, AC 50Hz or 240V and the following DC circuits. It is used for circuit opening, closing and switching under non-frequent manual operation. Typical applications are: three-phase motor control switchgear, instrument control switches, machinery and welder transfer switches. This series of products meet the requirements of GB 14048.5 and IEC 60947-5-1.

Lw26 series has 8 currents etc.: 10A, 20A, 25A, 32A, 40A, 63A, 125A, 160A

They are designed for multiple functions and a wide range of applications. LW26-10, LW26-20, LW26-25 have finger protection terminals. The LW26 series rotary switches are replacements for most transfer switches. There are two derivatives of the LW26 series rotary switches, the LW26GS padlock type and the LW26S key lock type. They are all suitable for circuits that require physical control. We can be equipped with a protective box (IP65) from 20A to 160A.

2. Product Features

- (1) The ambient air temperature does not exceed +40°C. And the average temperature within 24h does not exceed +35°C;
- (2) The lower limit of ambient air temperature does not exceed - 25°C;
- (3) The altitude of the installation site shall not exceed 2000m;
- (4) When the maximum temperature is + 40°C, the relative humidity of the air does not exceed 50%, and a higher relative humidity can be allowed at lower temperatures, such as 90% at 20°C. Special measures should be taken for occasional condensation due to temperature changes.

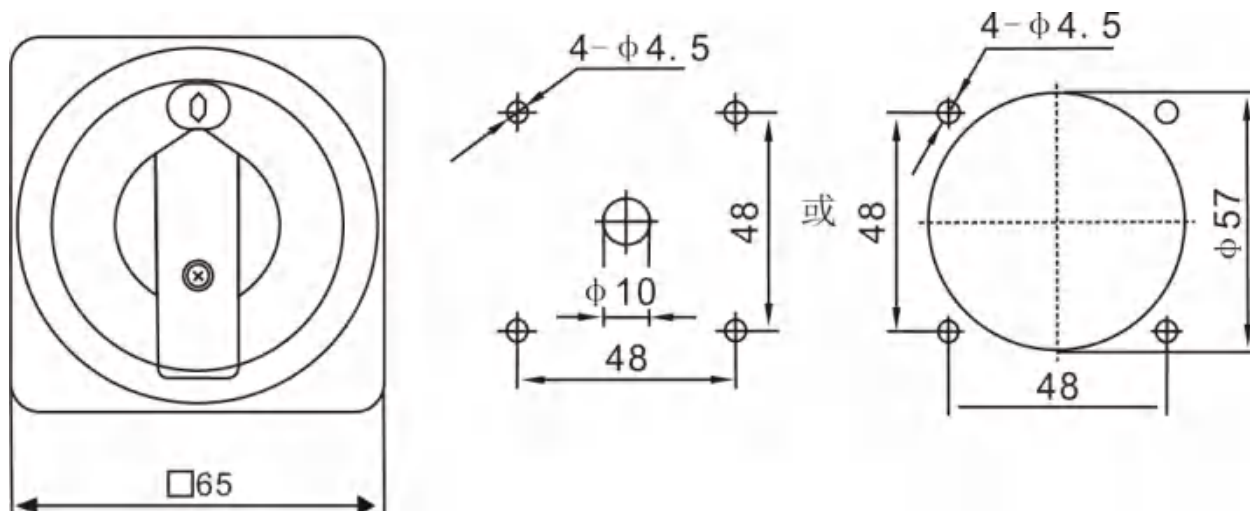
Universal transfer switch LW26-63GS

(open the door and power off, special for machine tools)

3. Technical parameters

Regulation	LW26-63	
Rated insulation voltage	660/690	
Rated current	63	
Rated working voltage	240	440
Rated working current		
AC-21A	63	63
AC-23A	57	57
AC-2	57	57
AC-3	36	36
AC-4	15	15
AC-15	/	/
AC-13	/	/
Power		
AC-23A	15/10	30/18.5
AC-2	18.5	20
AC-3	11/6	18.5/11
AC-4	5.5/2.4	7.5/4

4. Installation and size



5. Ordering instructions

Universal transfer switches LW26, LW5, LW8, LW12, HZ5B series have similar contact diagrams.

Also, please specify amperage rating, mounting plate, handle type, color and quantity.

We reserve the right to update the catalog without notice

Universal transfer switch LW26-20DK



1. Product introduction

LW26 series rotary switch is mainly suitable for 440V and below, AC 50Hz or 240V and the following DC circuits. It is used for circuit opening, closing and switching under non-frequent manual operation. Typical applications are: three-phase motor control switchgear, instrument control switches, machinery and welder transfer switches. This series of products meet the requirements of GB 14048.5 and IEC 60947-5-1.

LW26 series has 8 currents etc.: 10A, 20A, 25A, 32A, 40A, 63A, 125A, 160A

They are designed for multiple functions and a wide range of applications. LW26-10, LW26-20, LW26-25 have finger protection terminals. The LW26 series rotary switches are replacements for most transfer switches. There are two derivatives of the LW26 series rotary switches, the LW26GS padlock type and the LW26S key lock type. They are all suitable for circuits that require physical control. We can be equipped with a protective box (IP65) from 20A to 160A.

2. Product Features

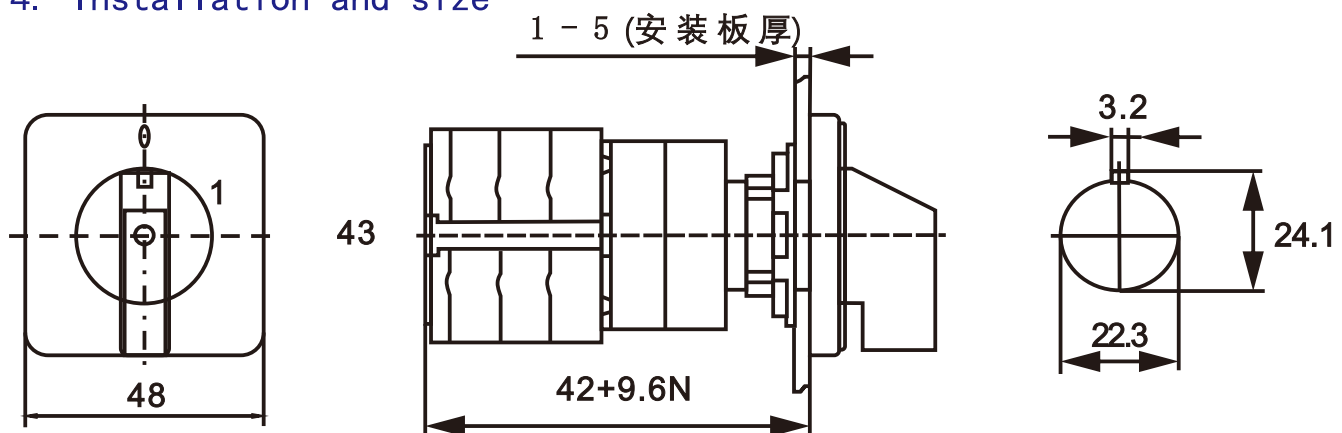
- (1) The ambient air temperature does not exceed $+40^{\circ}\text{C}$. And the average temperature within 24h does not exceed $+35^{\circ}\text{C}$;
- (2) The lower limit of ambient air temperature does not exceed -25°C ;
- (3) The altitude of the installation site shall not exceed 2000m;
- (4) When the maximum temperature is $+40^{\circ}\text{C}$, the relative humidity of the air does not exceed 50%, and a higher relative humidity can be allowed at lower temperatures, such as 90% at 20°C . Special measures should be taken for occasional condensation due to temperature changes.

Universal transfer switch LW26-20DK

3. Technical parameters

Regulation	LW26-20			
Rated insulation voltage	660/690			
Rated current	20			
Rated working voltage	240	110	240	440
Rated working current				
AC-21A	/	/	20	20
AC-23A	/	/	15	15
AC-2	/	/	15	15
AC-3	/	/	11	11
AC-4	/	/	3.5	3.5
AC-15	/	/	5	4
AC-13	/	/	0.4	/
Power				
AC-23A	12	0.4	3.7/2.5	7.5/3.7
AC-2	/	/	4	7.5
AC-3	/	/	3/2.2	5.5/3
AC-4	/	/	0.55/0.75	1.5/1.5

4. Installation and size



5. Ordering instructions

Universal transfer switches LW26, LW5, LW8, LW12, HZ5B series have similar contact diagrams.

Also, please specify amperage rating, mounting plate, handle type, color and quantity.

We reserve the right to update the catalog without notice

Universal transfer switch LW26-20YS with key



1. Product introduction

LW26 series rotary switch is mainly suitable for 440V and below, AC 50Hz or 240V and the following DC circuits. It is used for circuit opening, closing and switching under non-frequent manual operation. Typical applications are: three-phase motor control switchgear, instrument control switches, machinery and welder transfer switches. This series of products meet the requirements of GB 14048.5 and IEC 60947-5-1.

LW26 series has 8 currents etc.: 10A, 20A, 25A, 32A, 40A, 63A, 125A, 160A

They are designed for multiple functions and a wide range of applications. LW26-10, LW26-20, LW26-25 have finger protection terminals. The LW26 series rotary switches are replacements for most transfer switches. There are two derivatives of the LW26 series rotary switches, the LW26GS padlock type and the LW26S key lock type. They are all suitable for circuits that require physical control. We can be equipped with a protective box (IP65) from 20A to 160A.

2. Product Features

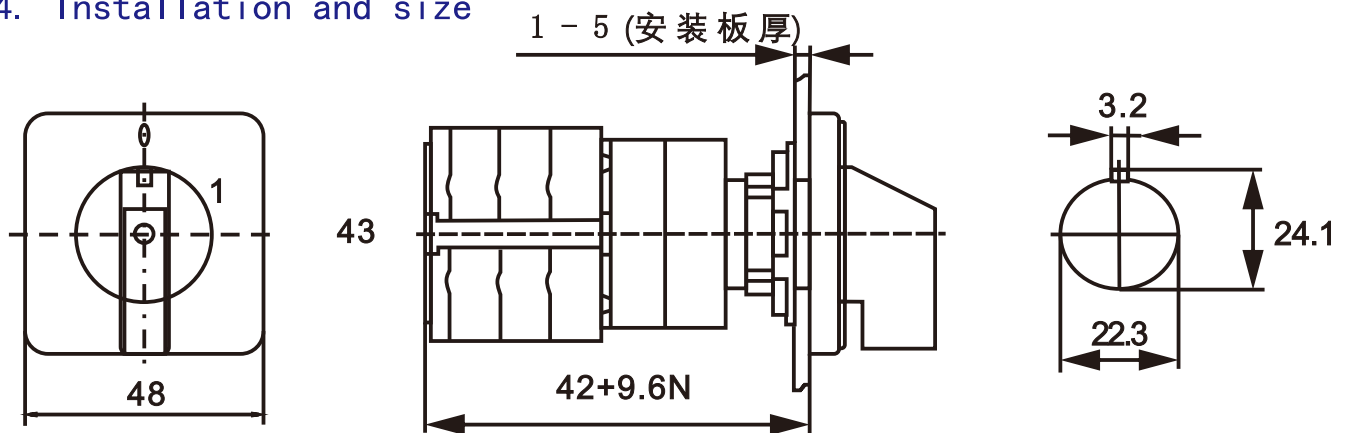
- (1) The ambient air temperature does not exceed +40°C. And the average temperature within 24h does not exceed +35°C;
- (2) The lower limit of ambient air temperature does not exceed - 25°C;
- (3) The altitude of the installation site shall not exceed 2000m;
- (4) When the maximum temperature is + 40°C, the relative humidity of the air does not exceed 50%, and a higher relative humidity can be allowed at lower temperatures, such as 90% at 20°C. Special measures should be taken for occasional condensation due to temperature changes.

Universal transfer switch LW26-20YS with key

3. Technical parameters

Regulation	LW26-20			
Rated insulation voltage	660/690			
Rated current	20			
Rated working voltage	240	110	240	440
Rated working current				
AC-21A	/	/	20	20
AC-23A	/	/	15	15
AC-2	/	/	15	15
AC-3	/	/	11	11
AC-4	/	/	3.5	3.5
AC-15	/	/	5	4
AC-13	/	/	0.4	/
Power				
AC-23A	12	0.4	3.7/2.5	7.5/3.7
AC-2	/	/	4	7.5
AC-3	/	/	3/2.2	5.5/3
AC-4	/	/	0.55/0.75	1.5/1.5

4. Installation and size



5. Ordering instructions

Universal transfer switches LW26, LW5, LW8, LW12, HZ5B series have similar contact diagrams.

Also, please specify amperage rating, mounting plate, handle type, color and quantity.

We reserve the right to update the catalog without notice

Universal transfer switch LW26-20FS waterproof box type



1. Product introduction

LW26 series rotary switch is mainly suitable for 440V and below, AC 50Hz or 240V and the following DC circuits. It is used for circuit opening, closing and switching under non-frequent manual operation. Typical applications are: three-phase motor control switchgear, instrument control switches, machinery and welder transfer switches. This series of products meet the requirements of GB 14048.5 and IEC 60947-5-1.

Lw26 series has 8 currents etc.: 10A, 20A, 25A, 32A, 40A, 63A, 125A, 160A

They are designed for multiple functions and a wide range of applications. LW26-10, LW26-20, LW26-25 have finger protection terminals. The LW26 series rotary switches are replacements for most transfer switches. There are two derivatives of the LW26 series rotary switches, the LW26GS padlock type and the LW26S key lock type. They are all suitable for circuits that require physical control. We can be equipped with a protective box (IP65) from 20A to 160A.

2. Product Features

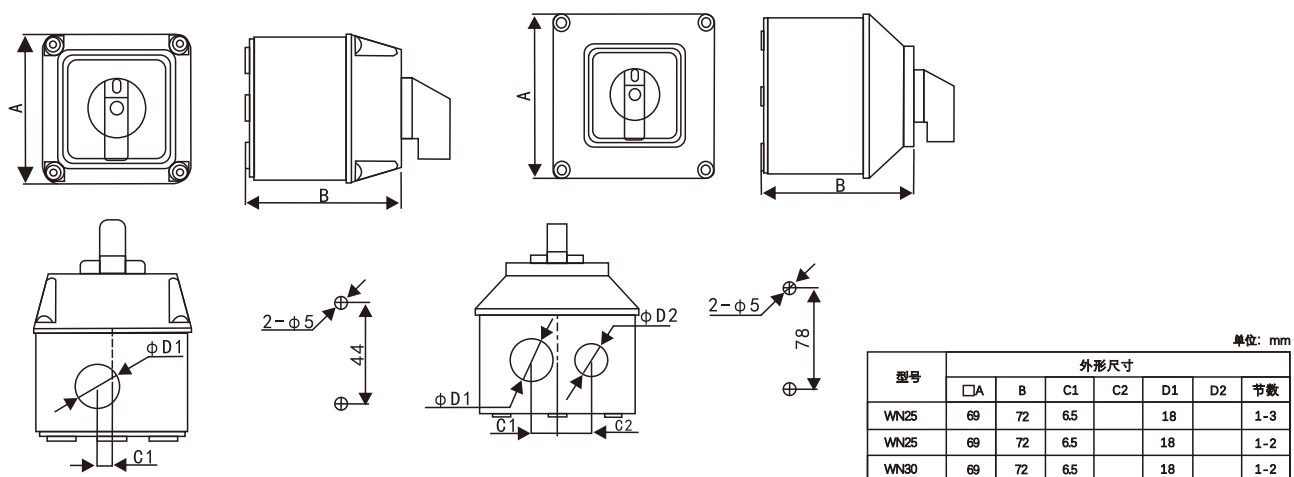
- (1) The ambient air temperature does not exceed $+40^{\circ}\text{C}$. And the average temperature within 24h does not exceed $+35^{\circ}\text{C}$;
- (2) The lower limit of ambient air temperature does not exceed -25°C ;
- (3) The altitude of the installation site shall not exceed 2000m;
- (4) When the maximum temperature is $+40^{\circ}\text{C}$, the relative humidity of the air does not exceed 50%, and a higher relative humidity can be allowed at lower temperatures, such as 90% at 20°C . Special measures should be taken for occasional condensation due to temperature changes.

Universal transfer switch LW26-20FS waterproof box type

3. Technical parameters

Regulation	LW26-20			
Rated insulation voltage	660/690			
Rated current	20			
Rated working voltage	240	110	240	440
Rated working current				
AC-21A	/	/	20	20
AC-23A	/	/	15	15
AC-2	/	/	15	15
AC-3	/	/	11	11
AC-4	/	/	3.5	3.5
AC-15	/	/	5	4
AC-13	/	/	0.4	/
Power				
AC-23A	12	0.4	3.7/2.5	7.5/3.7
AC-2	/	/	4	7.5
AC-3	/	/	3/2.2	5.5/3
AC-4	/	/	0.55/0.75	1.5/1.5

4. Installation and size



5. Ordering instructions

Universal transfer switches LW26, LW5, LW8, LW12, HZ5B series have similar contact diagrams.

Also, please specify amperage rating, mounting plate, handle type, color and quantity.

We reserve the right to update the catalog without notice

Universal transfer switch LW12-16



1. Product introduction

Lw12 is suitable for converting electrical control lines and electrical measuring instruments in circuits, and can also directly control motors.

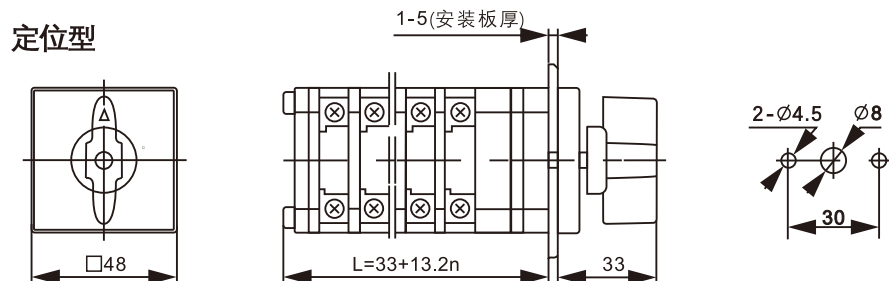
2. Product Features

- (1) The ambient air temperature does not exceed +40°C. And the average temperature within 24h does not exceed +35C;
- (2) The lower limit of ambient air temperature does not exceed - 25C;
- (3) The altitude of the installation site shall not exceed 2000m;
- (4) When the maximum temperature is + 40°C, the relative humidity of the air does not exceed 50%, and a higher relative humidity can be allowed at lower temperatures, such as 90% at 20°C. Special measures should be taken for occasional condensation due to temperature changes.

3. Technical parameters

Rated insulation voltage	500	
Rated thermal current	16	
Rated working voltage	220	380
Rated working current		
AC-15	4.6	2.6
AC-13	0.27	
AC-3		12
AC-4		12

4. Installation and size



5. Ordering instructions

Universal transfer switches LW26, LW5, LW8, LW12, HZ5B series have similar contact diagrams.

Also, please specify amperage rating, mounting plate, handle type, color and quantity.

We reserve the right to update the catalog without notice

Universal transfer switch LW12-16Z self-replicating



1. Product introduction

Lw12 is suitable for converting electrical control lines and electrical measuring instruments in circuits, and can also directly control motors.

2. Product Features

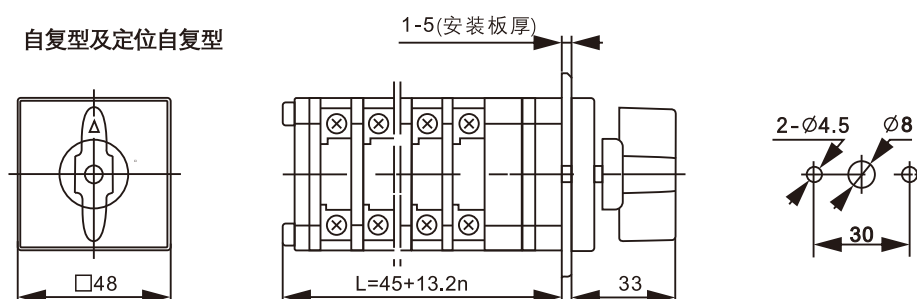
- (1) The ambient air temperature does not exceed +40°C. And the average temperature within 24h does not exceed +35°C;
- (2) The lower limit of ambient air temperature does not exceed -25°C;
- (3) The altitude of the installation site shall not exceed 2000m;
- (4) When the maximum temperature is +40°C, the relative humidity of the air does not exceed 50%, and a higher relative humidity can be allowed at lower temperatures, such as 90% at 20°C. Special measures should be taken for occasional condensation due to temperature changes.

3. Technical parameters

Rated insulation voltage	500	
Rated thermal current	16	
Rated working voltage	220	380
Rated working current		
AC-15	4.6	2.6
AC-13	0.27	
AC-3		12
AC-4		12

4. Installation and size

自复型及定位自复型



5. Ordering instructions

Universal transfer switches LW26, LW5, LW8, LW12, HZ5B series have similar contact diagrams.

Also, please specify amperage rating, mounting plate, handle type, color and quantity.

We reserve the right to update the catalog without notice

Universal transfer switch LW12-16DZ



1. Product introduction

Lw12 is suitable for converting electrical control lines and electrical measuring instruments in circuits, and can also directly control motors.

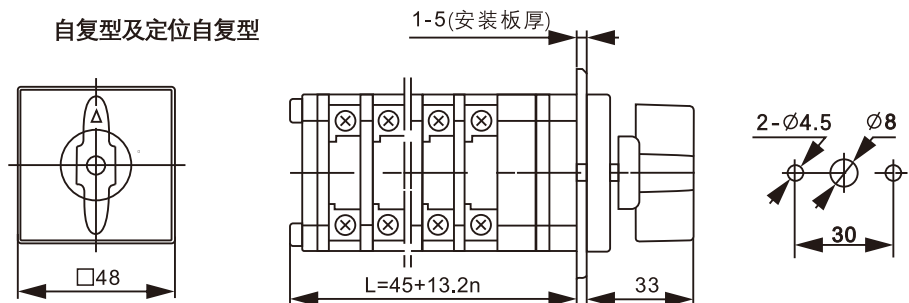
2. Product Features

- (1) The ambient air temperature does not exceed +40°C. And the average temperature within 24h does not exceed +35C;
- (2) The lower limit of ambient air temperature does not exceed - 25C;
- (3) The altitude of the installation site shall not exceed 2000m;
- (4) When the maximum temperature is + 40°C, the relative humidity of the air does not exceed 50%, and a higher relative humidity can be allowed at lower temperatures, such as 90% at 20°C. Special measures should be taken for occasional condensation due to temperature changes.

3. Technical parameters

Rated insulation voltage	500	
Rated thermal current	16	
Rated working voltage	220	380
Rated working current		
AC-15	4.6	2.6
AC-13	0.27	
AC-3		12
AC-4		12

4. Installation and size



5. Ordering instructions

Universal transfer switches LW26, LW5, LW8, LW12, HZ5B series have similar contact diagrams.

Also, please specify amperage rating, mounting plate, handle type, color and quantity.

We reserve the right to update the catalog without notice

Universal transfer switch LW12-16YS with key



1. Product introduction

Lw12 is suitable for converting electrical control lines and electrical measuring instruments in circuits, and can also directly control motors.

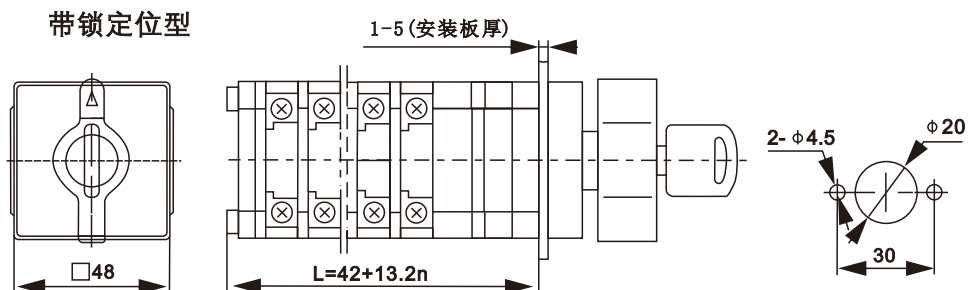
2. Product Features

- (1) The ambient air temperature does not exceed +40°C. And the average temperature within 24h does not exceed +35C;
- (2) The lower limit of ambient air temperature does not exceed - 25C;
- (3) The altitude of the installation site shall not exceed 2000m;
- (4) When the maximum temperature is + 40°C, the relative humidity of the air does not exceed 50%, and a higher relative humidity can be allowed at lower temperatures, such as 90% at 20°C. Special measures should be taken for occasional condensation due to temperature changes.

3. Technical parameters

Rated insulation voltage	500	
Rated thermal current	16	
Rated working voltage	220	380
Rated working current		
AC-15	4.6	2.6
AC-13	0.27	
AC-3		12
AC-4		12

4. Installation and size



5. Ordering instructions

Universal transfer switches LW26, LW5, LW8, LW12, HZ5B series have similar contact diagrams.

Also, please specify amperage rating, mounting plate, handle type, color and quantity.

We reserve the right to update the catalog without notice

Universal transfer switch LW30 isolating switch



1. Product introduction

LW30 series transfer switches are mainly used in electrical circuits with AC 50Hz, rated working voltage below 440V, and rated current up to 100A. They are used as main switches for ventilation equipment, air conditioners and water pump systems, and can also directly control small-capacity AC motors.

The product conforms to the standard GB/T 14048.3 and IEC 60947-3.

The LW30 series switches are complete in specifications, with current levels of 20A, 25A, 32A, 40A, 63A, 80A and 100A.

The Lw30 series switch has the advantages of small size, compact structure, careful selection of materials, good insulation, finger protection function, safety and reliability, and other contact blocks can be added to the 3-pole standard block without removing the switch.

The insulation distance of Lw30 series switches is larger than that of other switches of the same type, and the disconnection speed is fast, which is suitable for DC switches.

2. Product Features

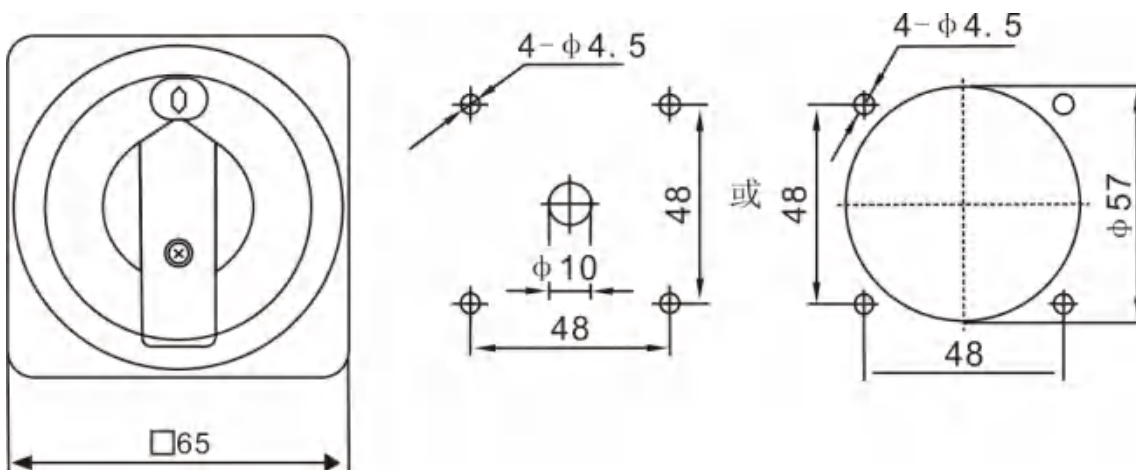
- (1) The ambient air temperature does not exceed +40°C. And the average temperature within 24h does not exceed +35°C;
- (2) The lower limit of ambient air temperature does not exceed - 25°C;
- (3) The altitude of the installation site shall not exceed 2000m;
- (4) When the maximum temperature is + 40°C, the relative humidity of the air does not exceed 50%, and a higher relative humidity can be allowed at lower temperatures, such as 90% at 20°C. Special measures should be taken for occasional condensation due to temperature changes.

Universal transfer switch LW30 isolating switch

3. Technical parameters

Model Specifications	LW30-25 (20)		LW30-32		LW30-40		LW30-63	
Conventional heating current	25 (20)		32		40		63	
Rated working voltage	240	440	240	440	240	440	240	440
Rated value								
AC-21A	20/-	20/-	32/-	32/-	40/-	40/-	63/-	63/-
AC-22A	20/-	20/-	32/-	32/-	40/-	40/-	63/-	63/-
AC-23A	15/4	15/7.5	22/5.5	22/11	30/7.5	30/15	43/11	43/22
AC-3	11.7/3	11.7/5.5	15/4	15/7.5	22/7.5	22/11	36/11	36/18.5

4. Installation and size



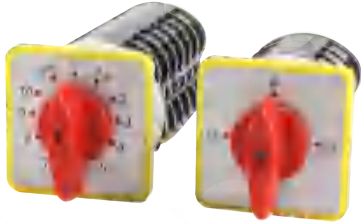
5. Ordering instructions

Universal transfer switches LW26, LW5, LW8, LW12, HZ5B series have similar contact diagrams.

Also, please specify amperage rating, mounting plate, handle type, color and quantity.

We reserve the right to update the catalog without notice

Universal transfer switch LW5-16



1. Product introduction

Lw5 is suitable for converting electrical control lines in the circuit, and can also directly control the starting, reversible conversion, and variable speed of the motor.

2. Product Features

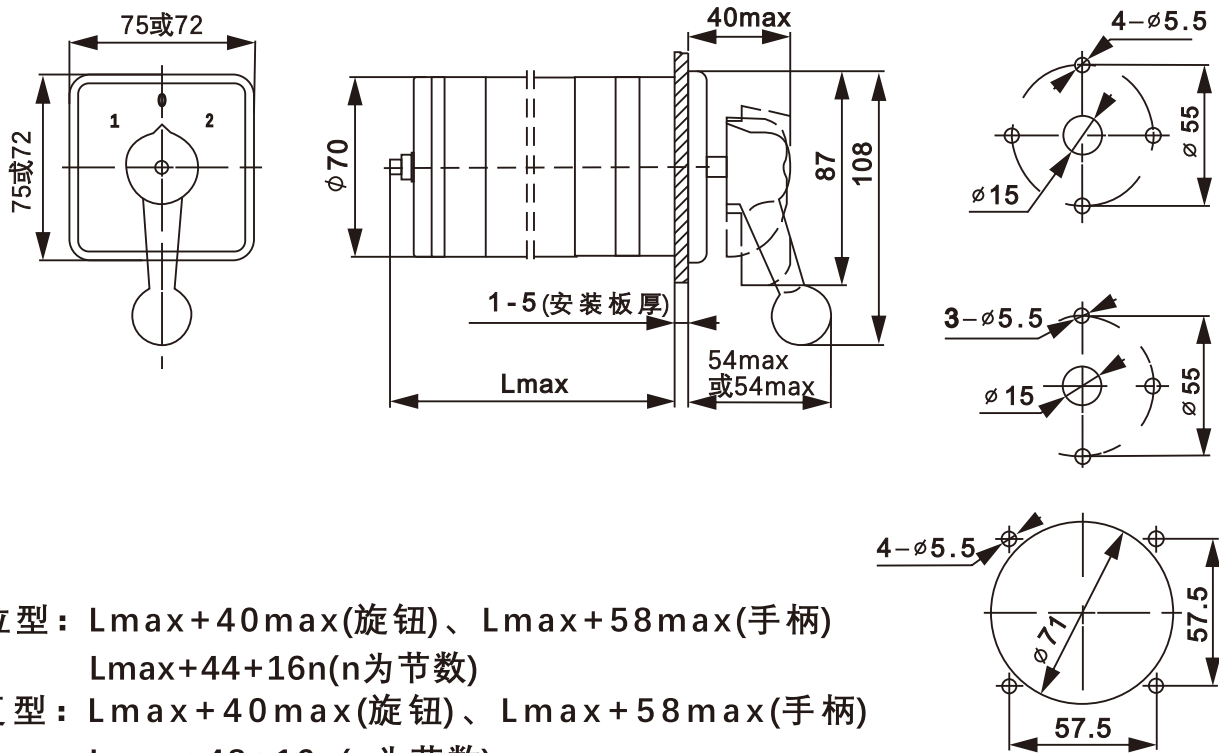
- (1) The ambient air temperature does not exceed +40°C. And the average temperature within 24h does not exceed +35C;
- (2) The lower limit of ambient air temperature does not exceed - 25C;
- (3) The altitude of the installation site shall not exceed 2000m;
- (4) When the maximum temperature is + 40°C, the relative humidity of the air does not exceed 50%, and a higher relative humidity can be allowed at lower temperatures, such as 90% at 20°C. Special measures should be taken for occasional condensation due to temperature changes.

3. Technical parameters

use	主令控制			直接控制电动机
Conventional heating current	16			16
Rated working voltage	125	220	250 380 400 500	380
Rated working current				
AC-15	4.6	2.6	2.0	12
AC-3				
AC-4				
DC-13 Double Breakpoint	0.55	0.27	0.14	
DC-13 Four Breakpoints	0.82	0.41	0.20	3.5

Universal transfer switch LW5-16

4. Installation and size



定位型： $L_{max} + 40_{max}$ (旋钮)、 $L_{max} + 58_{max}$ (手柄)

$L_{max} + 44 + 16n$ (n为节数)

自复型： $L_{max} + 40_{max}$ (旋钮)、 $L_{max} + 58_{max}$ (手柄)

$L_{max} + 48 + 16n$ (n为节数)

5. Ordering instructions

Universal transfer switches LW26, LW5, LW8, LW12, HZ5B series have similar contact diagrams.

Also, please specify amperage rating, mounting plate, handle type, color and quantity.

We reserve the right to update the catalog without notice

Universal transfer switch HZ5B



1. Product introduction

HZ5B is an improved version of HZ5D, which is suitable for starting, stopping, reversing and shifting of motors in the circuit.

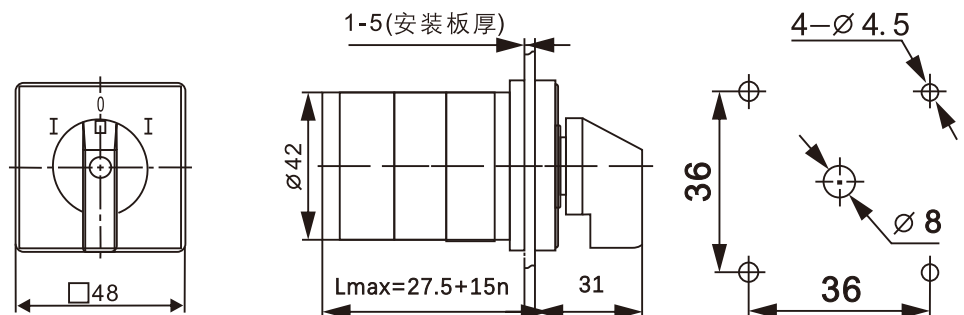
2. Product Features

- (1) The ambient air temperature does not exceed +40°C. And the average temperature within 24h does not exceed +35°C;
- (2) The lower limit of ambient air temperature does not exceed - 25°C;
- (3) The altitude of the installation site shall not exceed 2000m;
- (4) When the maximum temperature is + 40°C, the relative humidity of the air does not exceed 50%, and a higher relative humidity can be allowed at lower temperatures, such as 90% at 20°C. Special measures should be taken for occasional condensation due to temperature changes.

3. Technical parameters

technical parameter	
Conventional thermal current I _{th}	10
Rated working voltage U _e	440
Rated working current I _e	10
Rated control power P	1.7

4. Installation and size



5. Ordering instructions

Universal transfer switches LW26, LW5, LW8, LW12, HZ5B series have similar contact diagrams.

Also, please specify amperage rating, mounting plate, handle type, color and quantity.

We reserve the right to update the catalog without notice

